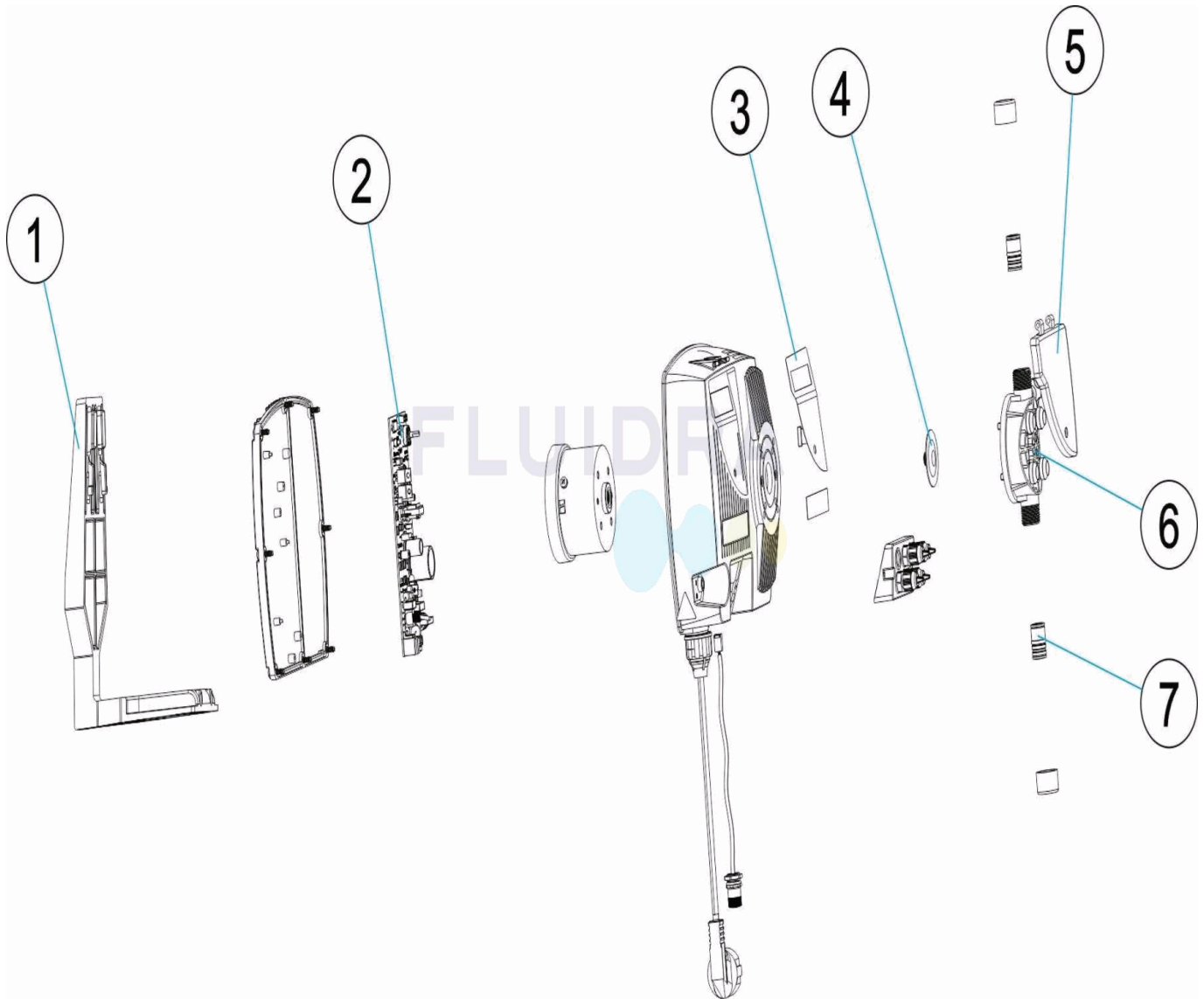


CODE **57132, 57133, 57135, 66164**

DESCRIPTION: **OPTIMA**



ENGLISH

POS	CODE	DESCRIPTION	POS	CODE	DESCRIPTION
1 *	36830	SUPPORT FOOT	4 *	57140R0004	DIAPHRAGM
1 *	66164R0004	SUPPORT FOOT	4 *	57135R0001	DIAPHRAGME
2 *	36007R0012	5 L/H ANALOGUE CIRCUIT	5 *	36007R0010	COVER
2 *	36008R0012	10 L/H ANALOGUE CIRCUIT	6 *	36007R0001	5-10 L/H PYREX BALLS. PVC HEAD. FPM.
2 *	36009R0012	20 L/H ANALOGUE CIRCUIT	6 *	36009R0001	20 L/H PYREX BALLS. PVC HEAD. FPM.
2 *	66164R0003	ELECTRONIC CIRCUIT	6 *	66164R0001	COMPLETE HEAD ASSEMBLY
3 *	57132R0002	ÉTIQUETTE CLAVIER	7 *	57140R0003	KOMPACT PVDF-T/FPM VALVE
3 *	66164R0002	KEYPAD	7 *	36009R0007	20 L/H PVDF-T/FPM VALVE

CODE **57132, 57133, 57135, 66164**

DESCRIPTION: **OPTIMA**

OBSERVATIONS

POS	CODE	OBSERVATIONS
1	36830	FOR: 57132, 57133, 57135
1	66164R0004	FOR: 66164
2	36007R0012	FOR: 57132
2	36008R0012	FOR: 57133
2	36009R0012	FOR: 57135
2	66164R0003	FOR: 66164
3	57132R0002	FOR: 57132, 57133, 57135
3	66164R0002	FOR: 66164
4	57140R0004	FOR: 57132, 57133, 66164
4	57135R0001	FOR: 57135
5	36007R0010	FOR: 57132, 57133, 57135
6	36007R0001	FOR: 57132, 57133
6	36009R0001	FOR: 57135
6	66164R0001	FOR: 66164
7	57140R0003	FOR: 57132, 57133, 66164
7	36009R0007	FOR: 57135